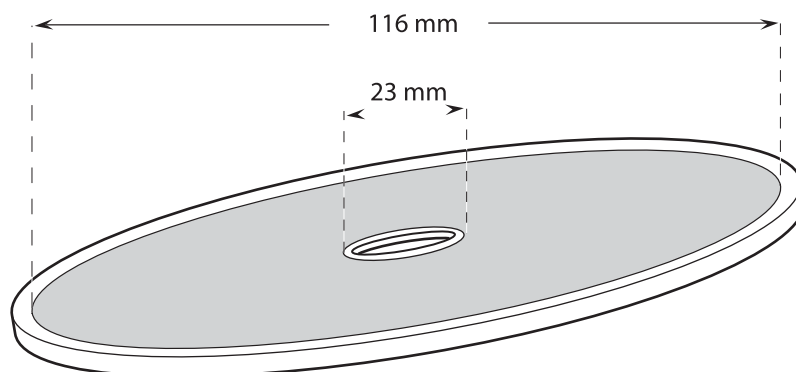


CD/DVD On-Disc Silkscreen Specifications

It would take a book to cover all the print specifications for silk screening on-disc print. This is a brief outline of what we require to silkscreen print CD/DVD's here at IMS. If you have any additional questions please contact IMS's Graphics department or your Customer Service Representative. To contact the Graphics department directly via email: iccagrapx@comporium.net

Requirements for CD/DVD on-disc printing:

- Our film is run at 1200dpi (dots per inch).
- Standard screen ruling is 100lpi (or lines per inch). For process color we can reach up to 120lpi.
- We recommend using a white flood for both PMS and CMYK printing. It will make your colors more vibrant.
- Line art or Vector based art needs to be at least 1200 dpi.
- We have available, Quark Express and InDesign templates that will make your production work much faster. These templates are not available on our website, please contact the Graphics department for more information.



- Minimum type size for positive printing is 6 point type.
- Minimum type size for reverse out printing is 6 point type.
- Minimum stroke width and rule or line width is .5 points. Anything smaller will not reproduce accurately.
- Screen or dot percentage range is 15%-90%. Meaning any screens less than 15% will not reproduce accurately. And any that are greater than 90% will fill in.

Questions:

If you have any questions about our requirements contact your CSR or IMS's Graphics department. IMS's staff will do their best to answer any of your artwork related questions.

800-624-5940 or 803-547-9200